

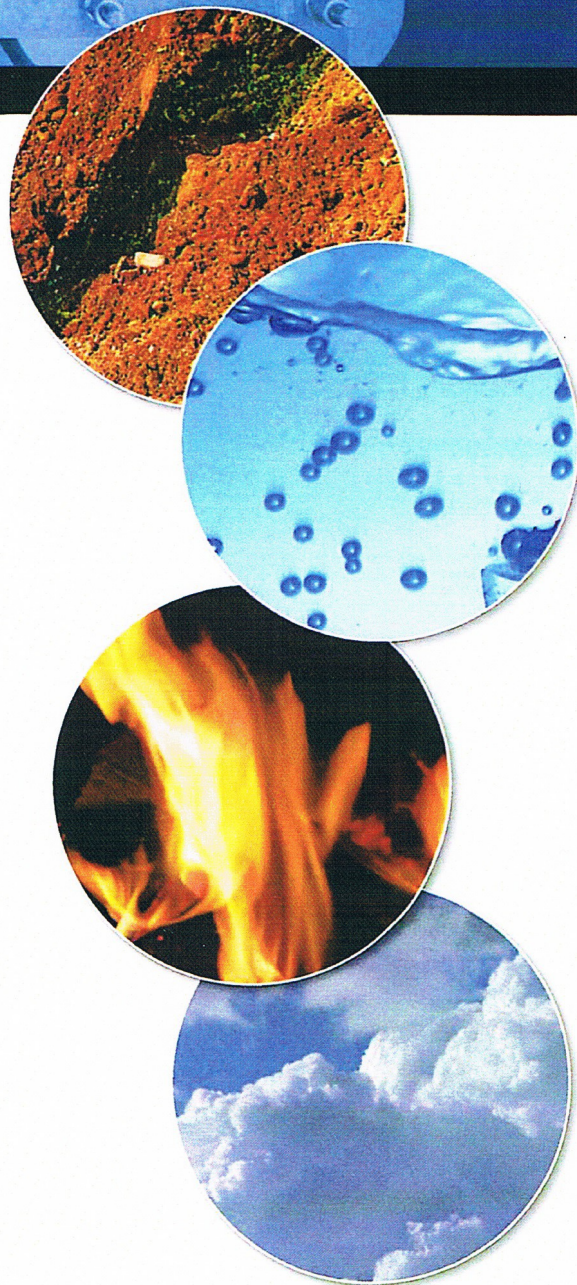
Black Powder - The Cure

WHERE
NATURE
AND
TECHNOLOGY
MEET

MAGNETIC CORE TECHNOLOGY
- THE KEY TO BLACK
POWDER REMOVAL



PETROGAS
GAS SYSTEMS

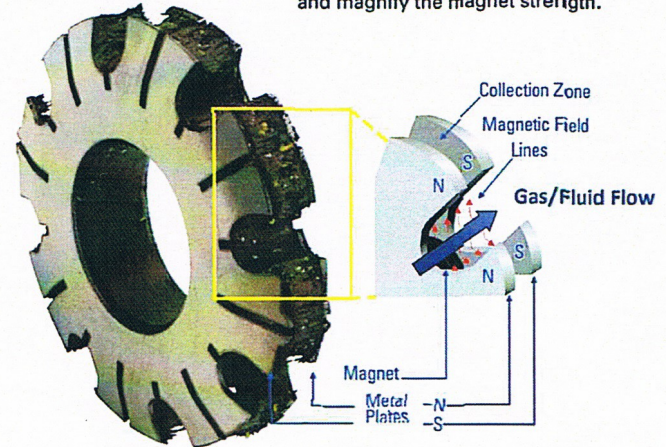


BLACK POWDER – The Cure!

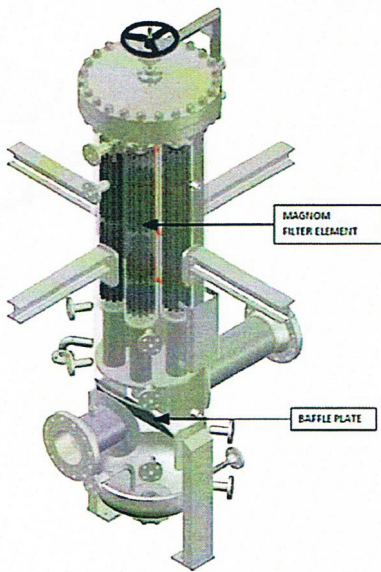
In response to a growing requirement to combat the “Black Powder” problem caused by H2S in poorer quality gas, Petrogas has teamed-up with The Magmom Corporation to find the solution. As black powder is formed in combination with ferrous particles, a large part of the deposits can be removed from the gas flow using special magnetic cores placed in the gas path.

MAGMOM
Core Technology

The MAGMOM™ core elements are comprised of a series of annular magnets and innovatively designed formed steel plates. The steel plates focus and magnify the magnet strength.

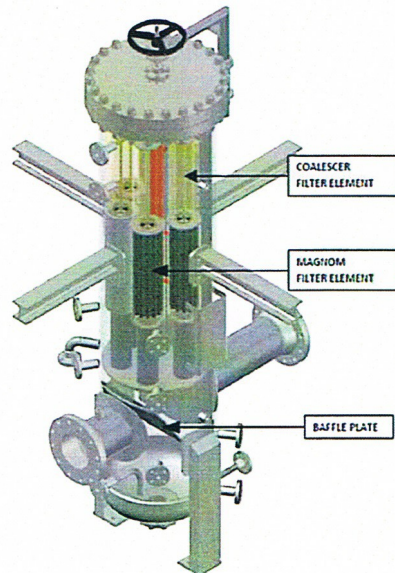


Gas/Fluid flow paths through the cores are sized to meet or exceed the cross-sectional areas of the in-let pipe, virtually eliminating any pressure drop across the core



Bespoke Black Dust Filter

For heavy contamination Petrogas has a dedicated filter vessel which can handle large quantities of powder.



3-Stage Filter

For lower black dust quantities the magnetic cores can be fitted to a 3-stage filter (see figure). The Magnetic Filters can also be retro-fitted to vessels from earlier projects.

A major advantage of using a Magnetic Black Powder filter is that the cores are able to handle extremely large loads of black powder without becoming clogged. When the cores need cleaning they can be removed and cleaned easily using a high pressure water hose. The cores are re-usable, and will last the lifetime of the filter system itself.



PETROGAS
GAS SYSTEMS

PETROGAS GAS-SYSTEMS BV
Harderwijkweg 2, 2803 PW Gouda
P.O.box 20, 2800 AA Gouda
The Netherlands
Phone: +31 182 565 395
Fax: +31 182 565 325
E-mail: info@petrogas.nl
Internet: www.petrogas.nl

